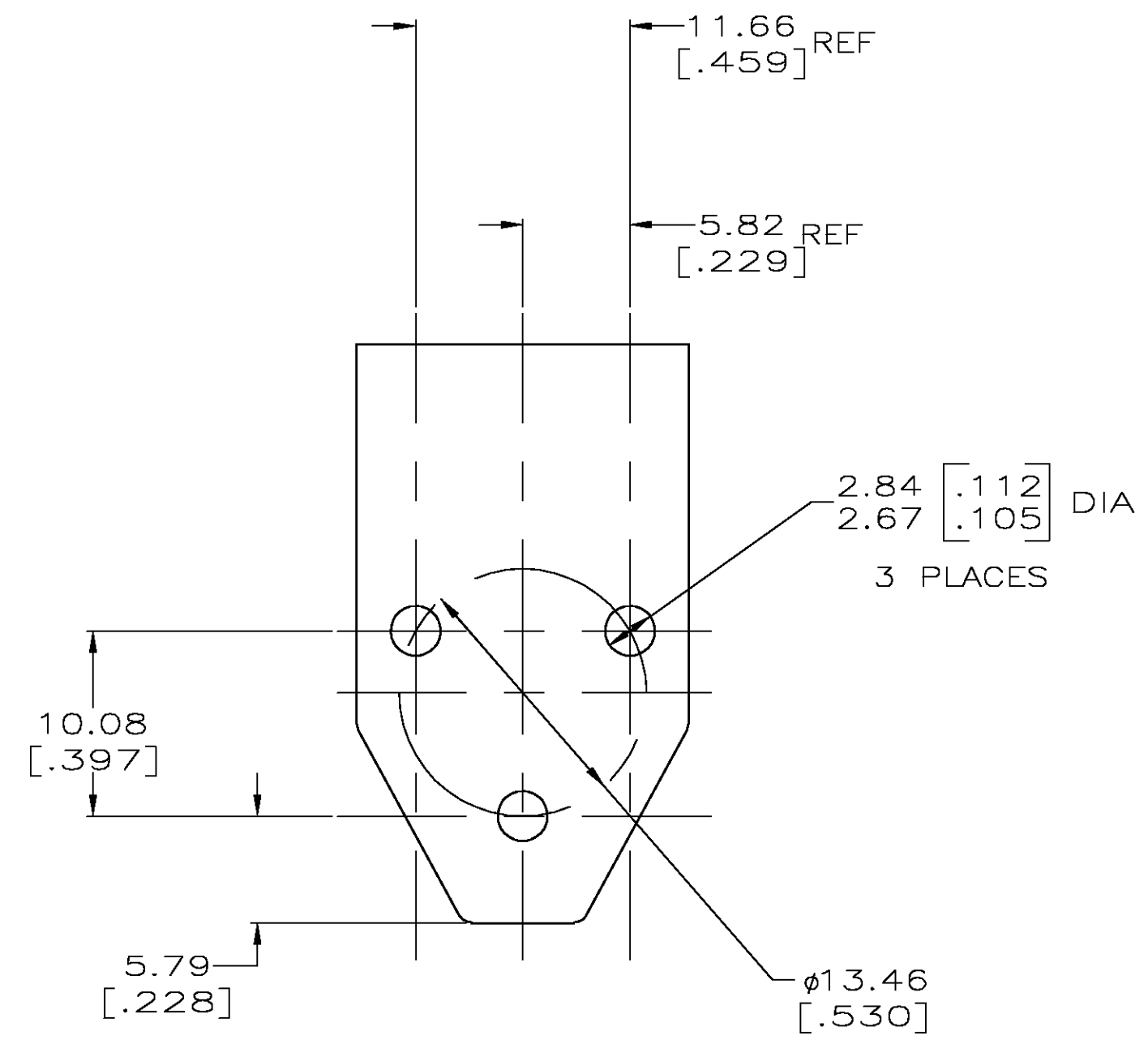
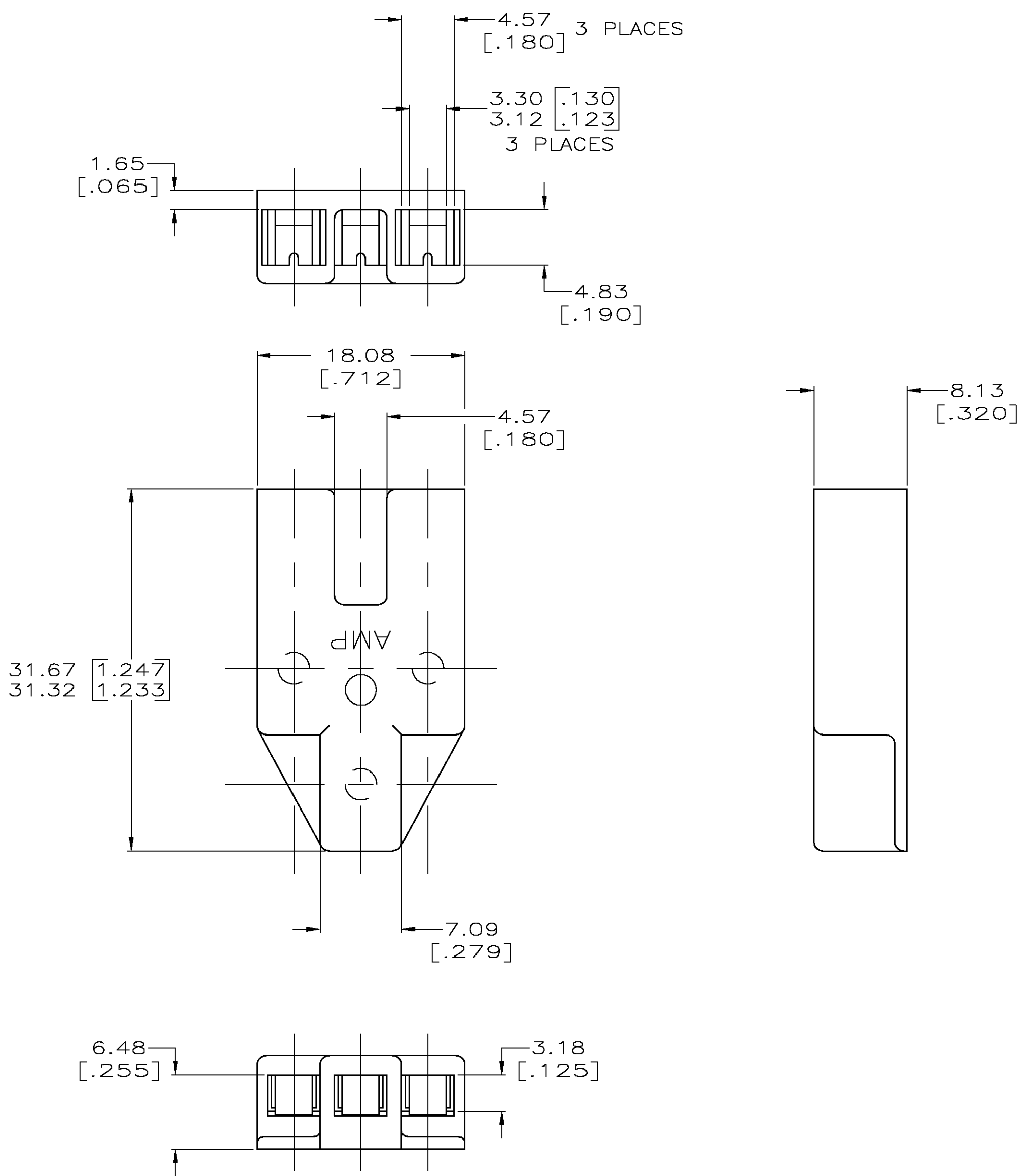


THIS DRAWING IS UNPUBLISHED. RELEASED FOR PUBLICATION
 © COPYRIGHT BY TYCO ELECTRONICS CORPORATION. ALL RIGHTS RESERVED.

LOC		DIST		REVISIONS			
P	LTR	DESCRIPTION		DATE	DWN	APVD	
AF	50	J		REV PEROG3A-0446-03	23JUL03	JR	GP

1 HOUSING ACCEPTS 2.29 [.090] DIA CLUSTER BLOCK PIN RECEPTACLE.
 2 PRELIMINARY - NOT FOR PRODUCTION



VALOX 420 OR EQUIVALENT	2 360050-2
VALOX 310 OR EQUIVALENT	360050-1
MATERIAL	PART NUMBER

THIS DRAWING IS A CONTROLLED DOCUMENT.		DWN 03NOV1999 MICHAEL S. FEHER	Tyco Electronics Corporation Harrisburg, PA 17105	
DIMENSIONS: MM		CHK 05NOV1999 PETE DESANTIS	NAME	
TOLERANCES UNLESS OTHERWISE SPECIFIED:		APVD 05NOV1999 PETE DESANTIS	HOUSING, CLUSTER BLOCK, 2.29 [.090] DIA	
0 PLC ± -	1 PLC ± -	PRODUCT SPEC 108-2008	SIZE	RESTRICTED TO
2 PLC ± 0.25[.010]	3 PLC ± -	APPLICATION SPEC 114-2019	CAGE CODE 00779	1
4 PLC ± -	ANGLES ± 3	WEIGHT -	DRAWING NO C=360050	1
MATERIAL SEE TABLE	FINISH NATURAL	CUSTOMER DRAWING	SCALE 3:1	REV J